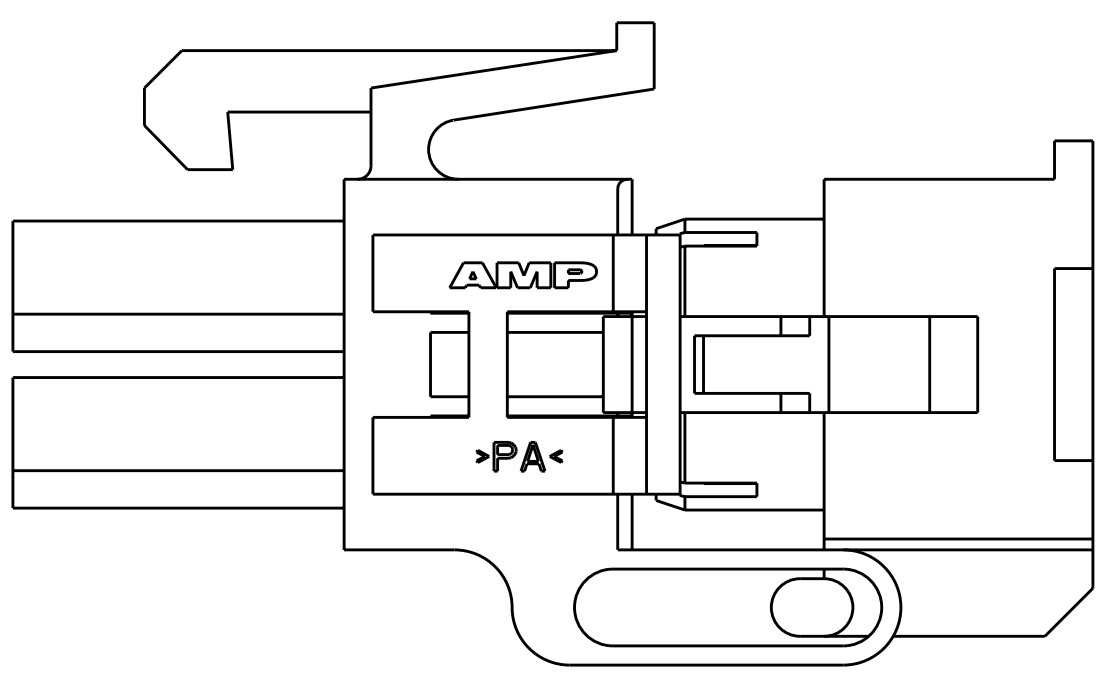
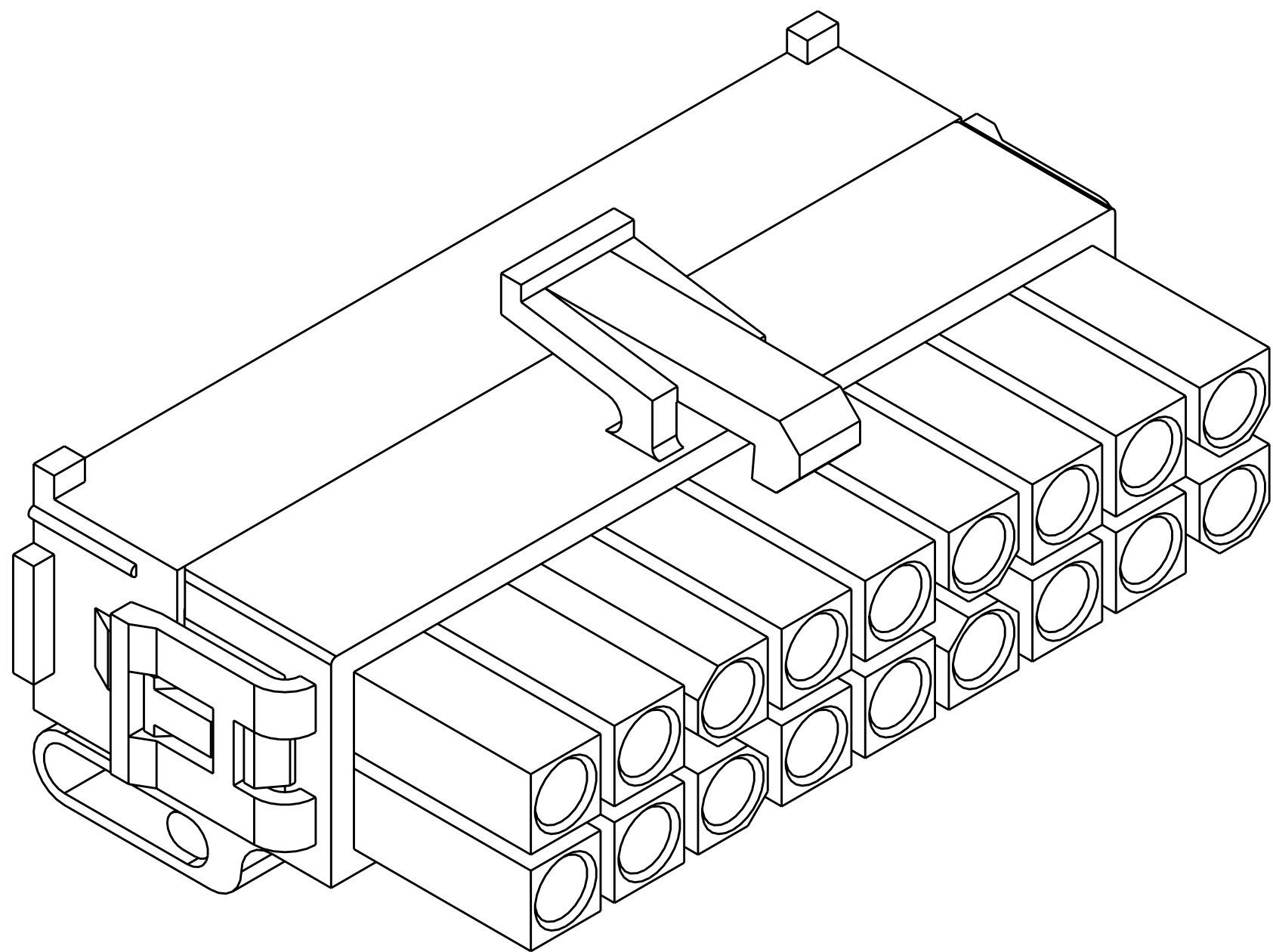
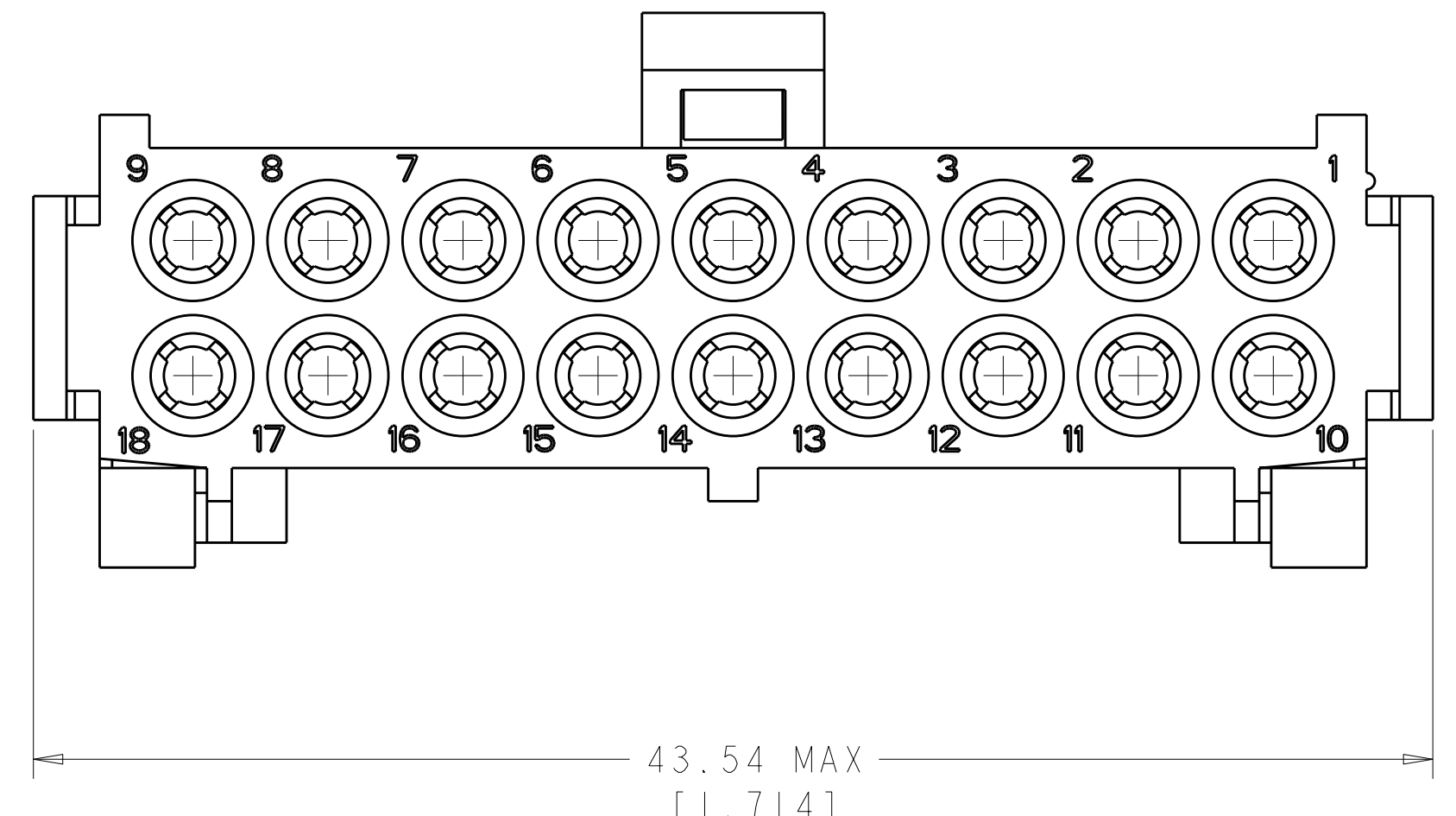
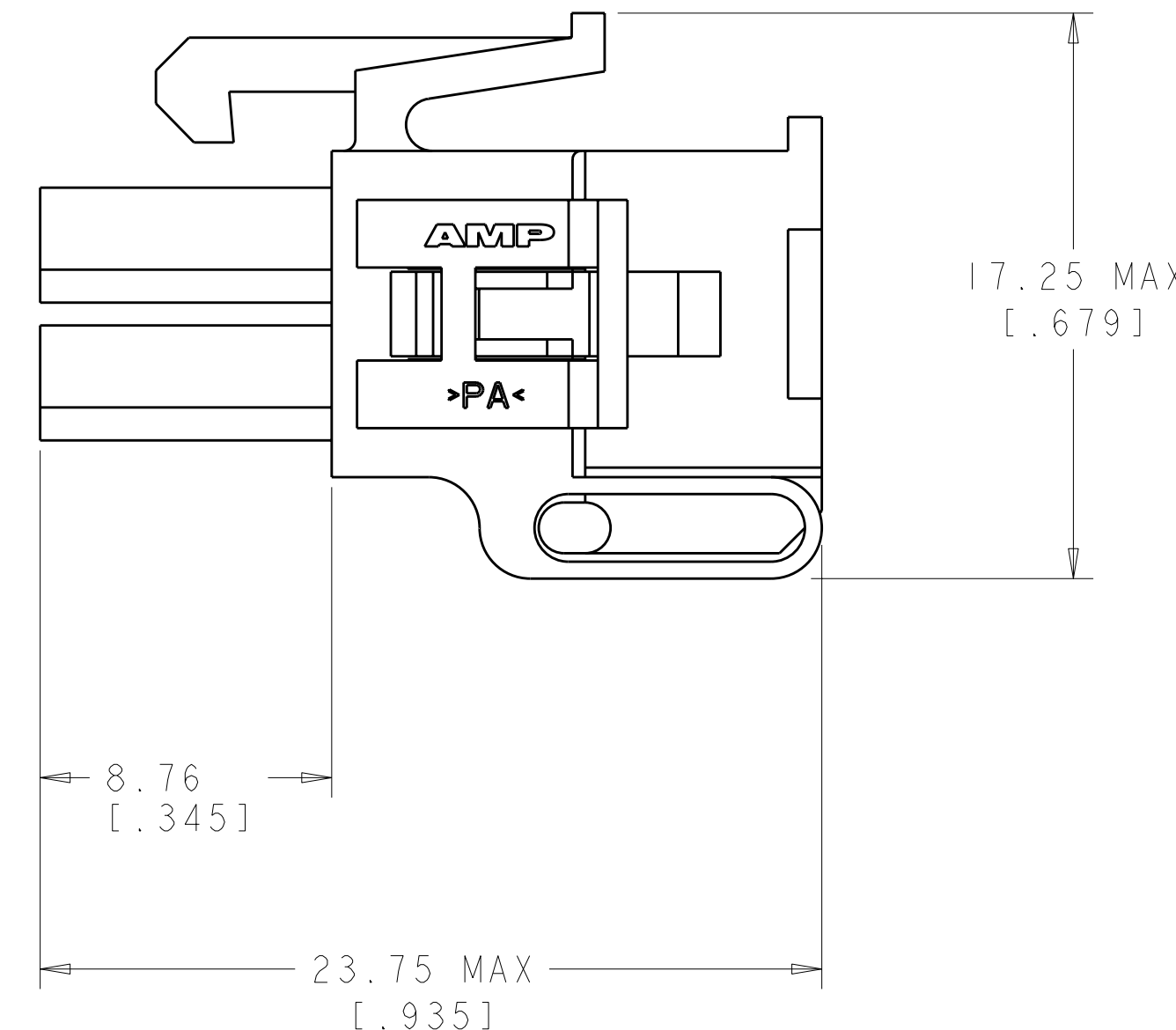
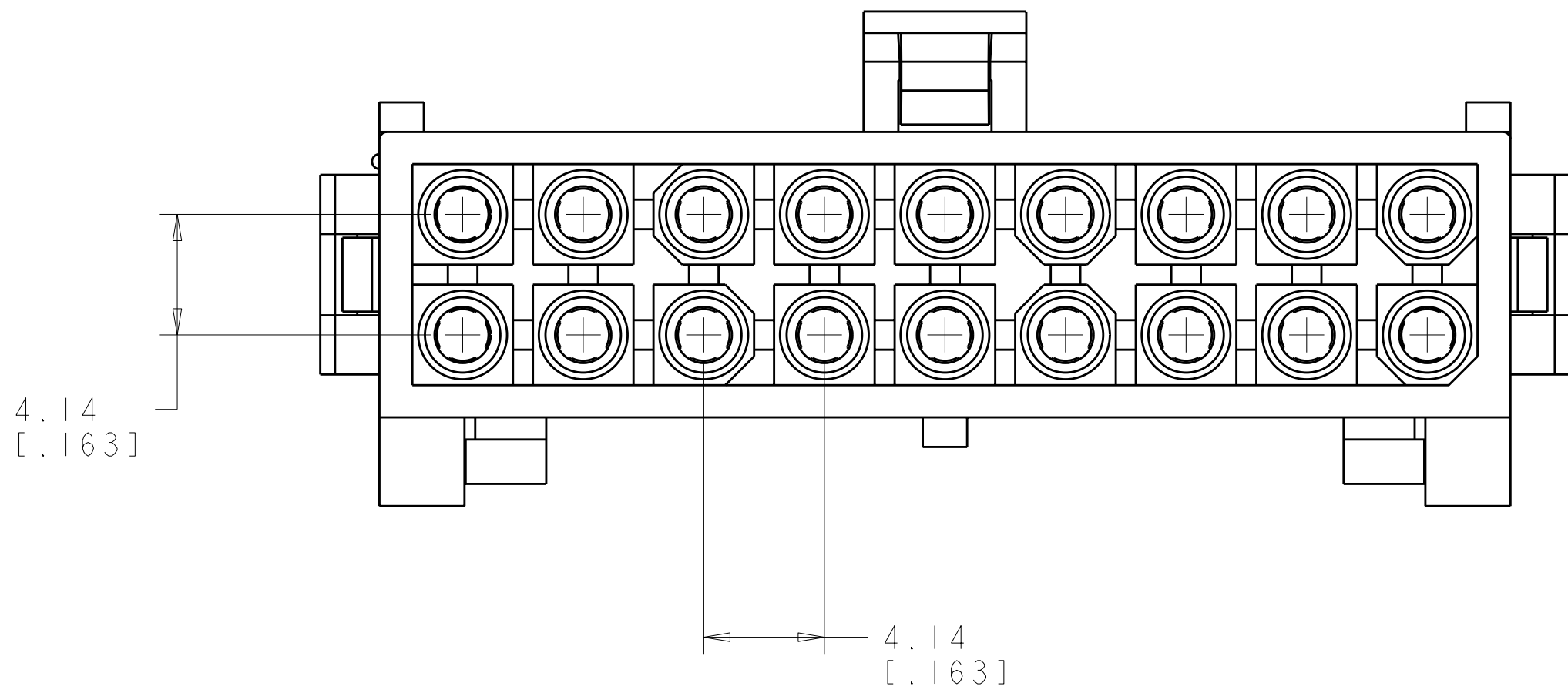


LOC	DIST	REV	DATE	DWN	APVD
CM	00	B1	ECO-07-016419	01AUG2007	KW CJ



PRE-STAGED CONDITION



0.296 IN ³	794209-1
VOLUME	PART NUMBER

<small>THIS DRAWING IS UNPUBLISHED. RELEASED FOR PUBLICATION. ALL RIGHTS RESERVED. THIS DRAWING IS THE PROPERTY OF TYCO ELECTRONICS CORPORATION. IT IS SUBJECT TO CHANGE WITHOUT NOTICE. THE USER ASSUMES ALL RESPONSIBILITY FOR THE CORRECT USE OF THIS DRAWING. CONTACT TYCO ELECTRONICS CORPORATION FOR THE LATEST REVISION.</small>		DWN: R. WHITAKER 01AUG2007 CHK: C. JONES 01AUG2007 APVD: C. JONES 01AUG2007	Tyco Electronics Harrisburg, PA 17105-3608
DIMENSIONS: mm [INCHES]	TOLERANCES UNLESS OTHERWISE SPECIFIED: 9 PLC ± 1 PLC ± 2 PLC ±0.13 (1.005) 3 PLC ± 4 PLC ± ANGLES ±40° 30'	NAME: PLUG, DUAL ROW, 18 CIRCUIT, MINI UNIVERSAL MATE-N-LOK(TM) 2 PRODUCT SPEC: APPLICATION SPEC: SIZE: CAGE CODE: DRAWING NO: A100779C-794208 WEIGHT: FINISH:	RESTRICTED TO:
MATERIAL: NYLON UL 94V-0, NATURAL		CUSTOMER DRAWING	SCALE: 5:1 SHEET 1 OF 1 REV: B1

